



NOVUX™ Specialty Terminals

An agile platform for applications—today and in the future

CommScope's new NOVUX™ ecosystem is the next step in the evolution of connectivity and fiber-to-the-X (FTTX) networks. Configurable, scalable and simple, NOVUX transforms networks with a modular, end-to-end architecture.

NOVUX Specialty Terminals deliver reliable performance with the speed of plug-and-play. Common features among all NOVUX components mean less training across multiple applications and fewer field installation errors. Service providers can move faster with reduced product delivery times and the ability to configure the fiber solutions they need in today's competitive environment.

COMMSCOPE®

NOVUX Specialty Terminals

The NOVUX Specialty Terminals are a modern hardened drop solution that's ideal for last-mile fiber network applications. Compact in design, these terminals are used individually or, combined with NOVUX Hardened Terminals (HT), to provide a complete end-to-end solution.

The NOVUX Specialty Terminals Advantage

Configurable. Scalable. Simple.

Widest variety of technologies available from a single platform

- Single- and multi-fiber, splitters, optical tap, fiber indexing, and on-demand hybrid configurations

Application flexibility for new builds and upgrades

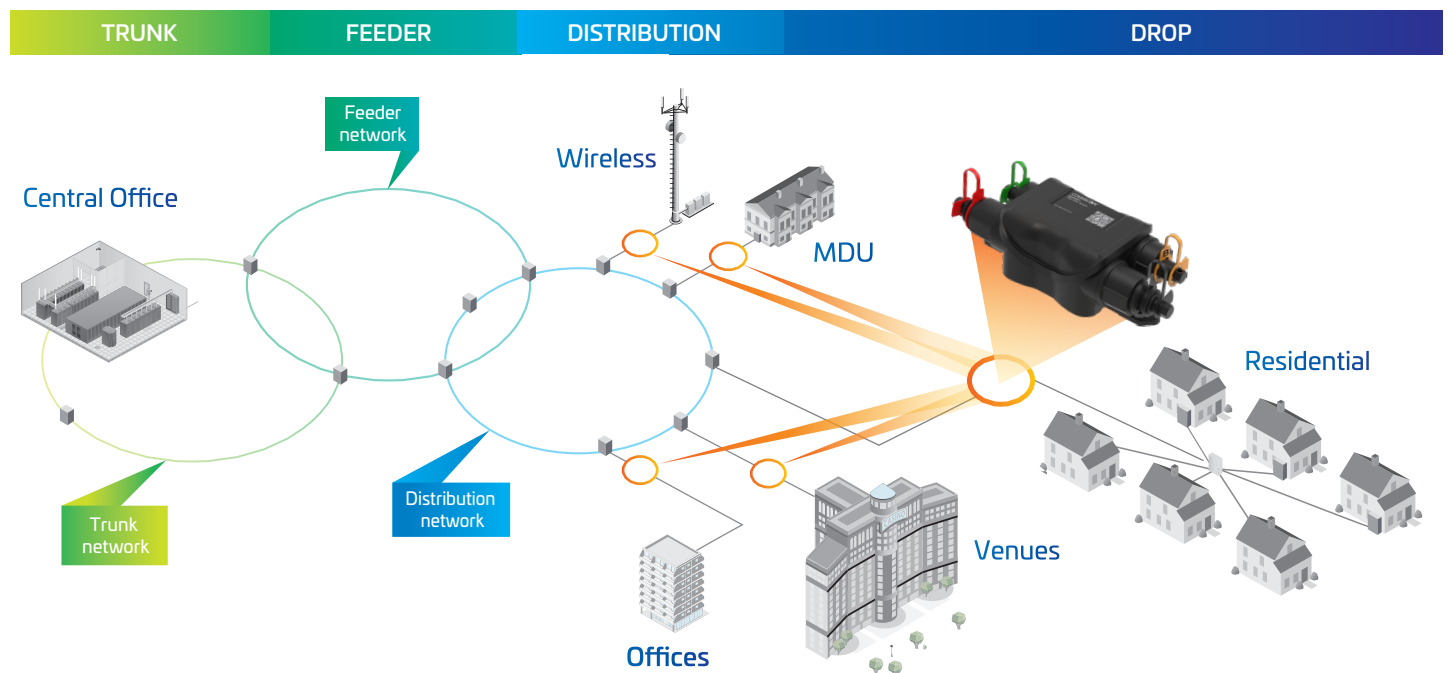
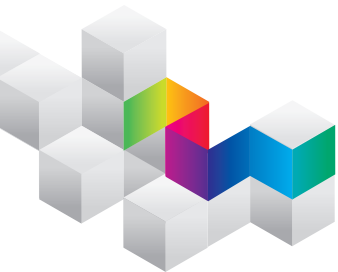
- Cable stub and stubless configurations
- Variety of adapters to connect terminals and drops
- Minimized footprint of terminal size
- Black and gray colors for ease of concealment

Ready for the field workforce of the future

- Unique network identification with ID plate and QR code
- Uniform installation practices and documentation speeds cross-training
- Digital access to all product information powered by CommScope cTrak® app

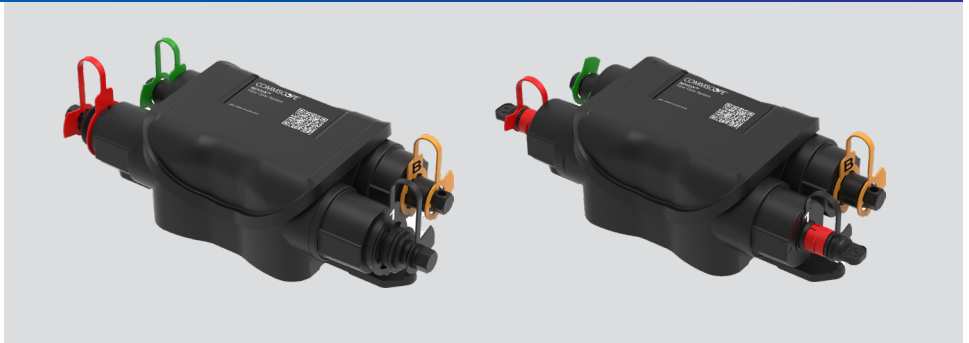
Agile global supply chain backed by common platform design and processes

- Multiple global locations with local manufacturing advantage
- Industry-renowned local field expertise and support



NOVUX Specialty Terminals Adapters configuration

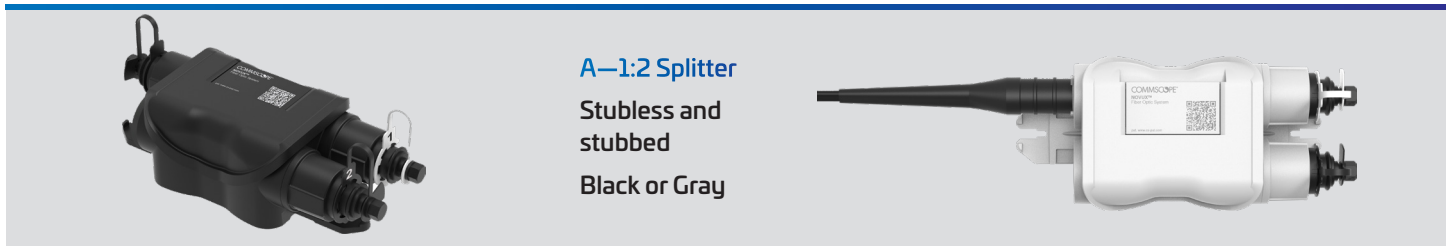
Commscope's Novux Specialty Terminals offer different alternatives for adapters including the Full Size connector and, Prodigy universally compatible with multiple hardened fiber connectors as common features among all NOVUX components.



NOVUX Specialty Standard Terminals (SST Series)

Ordering information

NOVUX SxT	Technologies available	Configuration	Stubless	Stub	Black	Gray
SST Series	1:2 Splitter	A	X	X	X	X

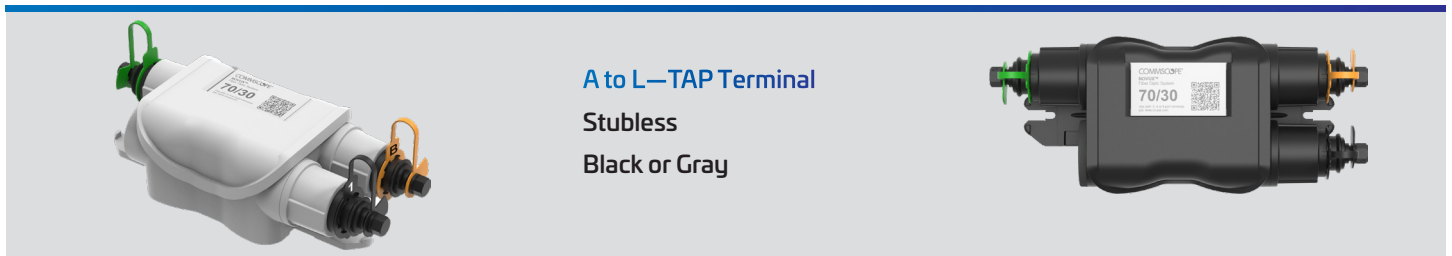


A—1:2 Splitter
Stubless and stubbed
Black or Gray

NOVUX Specialty Tap Terminals (STT)

Ordering information

NOVUX SxT	Technologies available	Configuration	Tap values	Stubless	Black	Gray
STT Series	Optical taps	A to L	30/70, 45/55, 60/40, 70/30, 80/20, 85/15, 90/10, 93/7, 95/5, 97/3	X	X	X



A to L—TAP Terminal
Stubless
Black or Gray

NOVUX Specialty Indexing Terminals (SXT Series)

Ordering information

NOVUX SxT	Technologies available	Configuration	Stubless	Stub	Black	Gray
SXT Series	12 fiber index only	A	X	X	X	X
	12 fiber index only with reverse	B	X	X	X	X
	12 fiber branch	C – G	X	X	X	X
	2f drop terminal – P2P	H	X	X	X	X
	2f drop terminal – GPON (1:2 Splitter)	J	X	X	X	X



A—12 fiber index only
Stubless and stubbed
Black or Gray



B—12 fiber index only with reverse
Stubless and stubbed
Black or Gray



C–G Branching unit
Stubless and stubbed
Black or Gray



H—2f Drop—PTP
Stubless and stubbed
Black or Gray

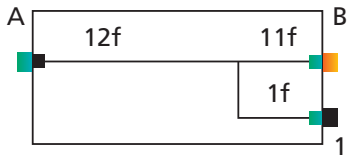


J—2f Drop—GPON
Stubless and stubbed
Black or Gray

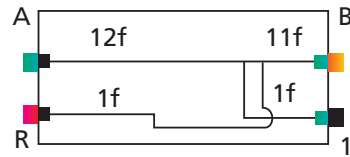


Configuration for stubless SXT/STT and HST/HTT/HXT fiber combined

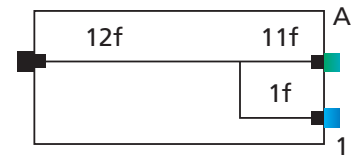
Stubless SXT index only, *no reverse*



Stubless SXT index only, *with reverse*



Stubless SXT index branching



Stubless SXT index only,
no reverse

HST

Stubless SXT index only,
with reverse

HMFOC drop
(Both ends)

Full Size Drop
(both ends)

Stubless SXT
index branching

Asymmetrical,
Tap only, Stubless

HXT

HTT

218

HXT

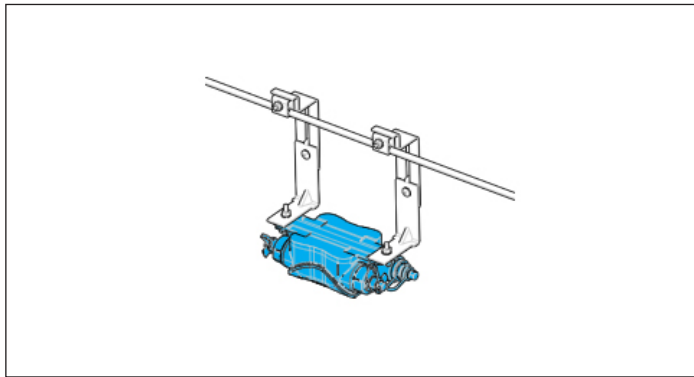
HXT

BENEFITS

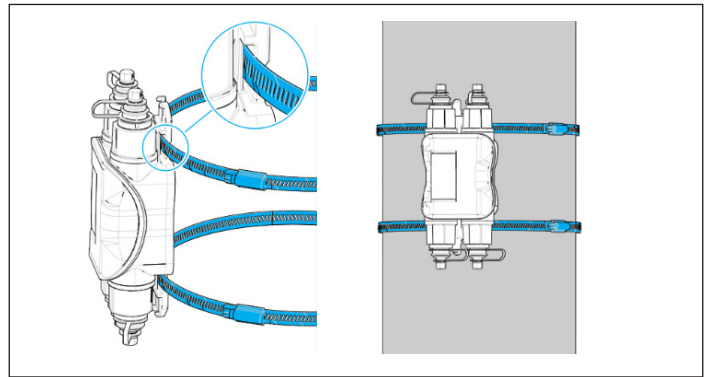
- **Pay as you grow:** Lower home passed cost, specially with lower take rates. HxT only installed when customer connections needed.
- **Flexibility:** All possible technologies combined in one ODN.
- **TAP:** Very similar to coax tap technology.
- **Indexing:** Perfectly adapted to index brownfields or new deployments.
- **Stubless:** Fewer SKUs on terminals.

Ready for any field deployment

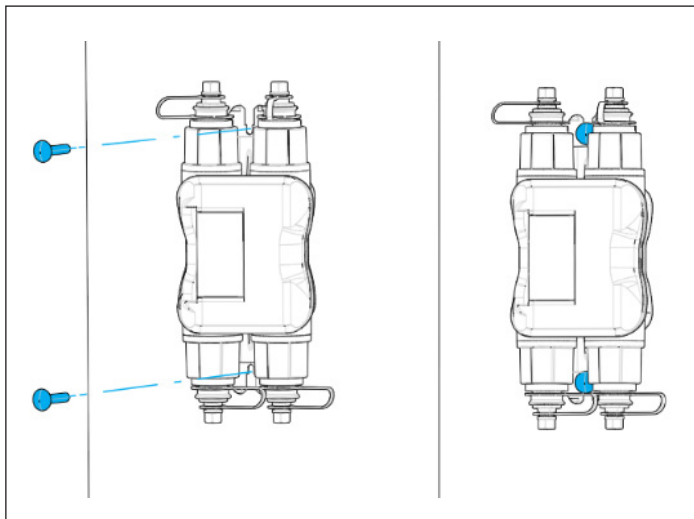
Whatever the application, wherever you need to mount them, NOVUX specialty terminals are ready. The built-in mounting tabs and mounting strap features facilitate easy direct mounting onto a strand, flat surface, pole, pedestal, or within a hand hole. Alternatively, to ease installation and maintenance, CommScope's universal mounting bracket can be used in all mounting applications. With one common platform, installation across all series is easy and efficient and is backed by consistent documentation and training.



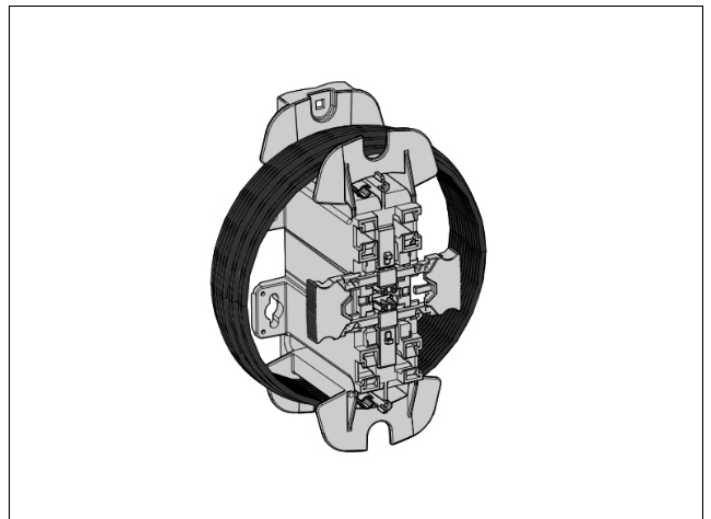
Strand mounting



Pole mounting*



Surface mounting*



Universal cable bracket
with overlength*

* Fixing hardware and straps not included

One click to all product information

Each NOVUX Specialty Terminal comes with a QR code that allows field installers to access CommScope's cTrak® app. With one click, cTrak provides a wealth of product information, specifications, installation instructions, videos, schematics, and test results.

Unique network identification



[See how cTRAK works](#)

[Download cTRAK app](#)

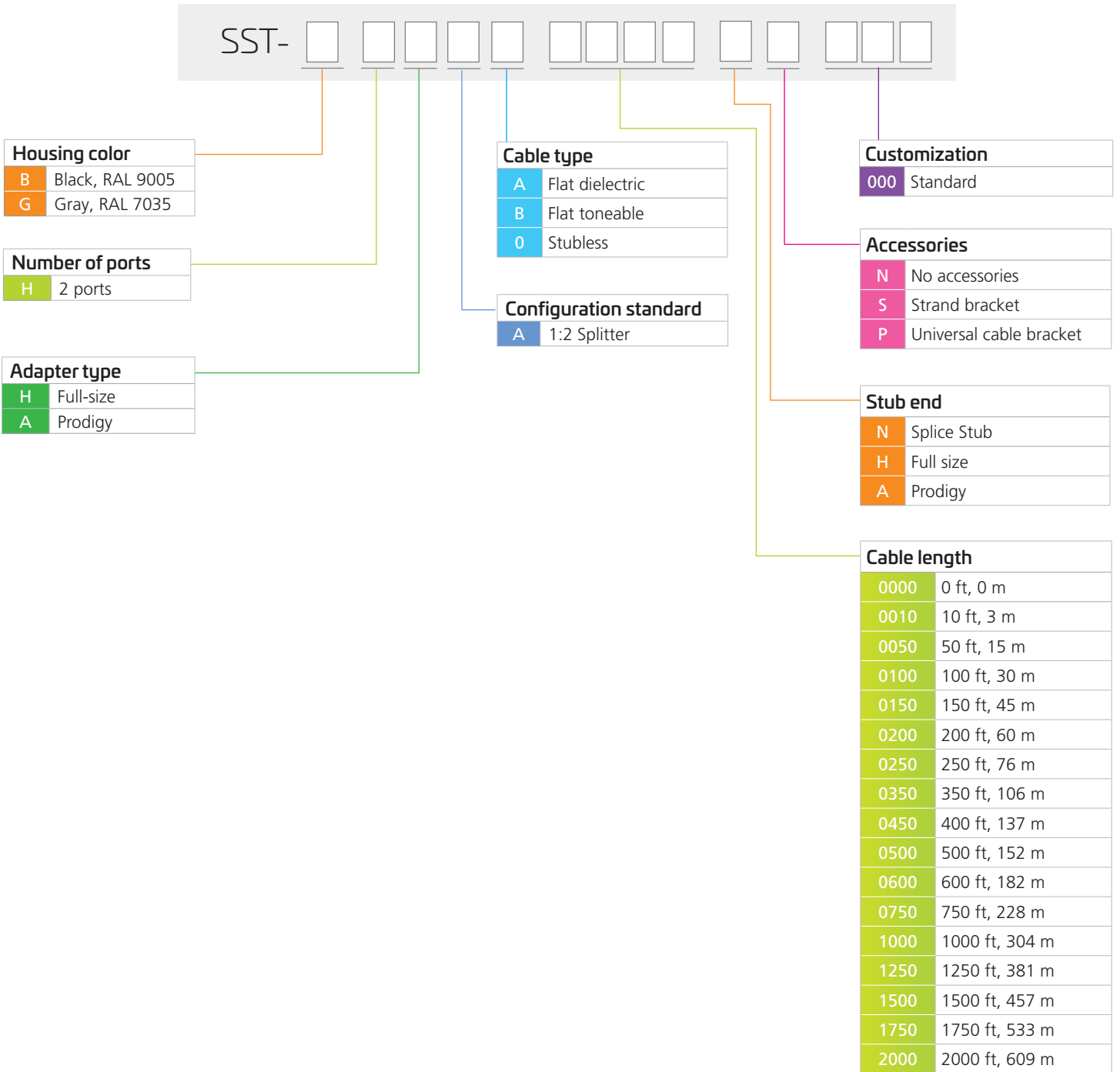
NOVUX—built for you

You work hard to give your customers the best network connectivity. Why should your terminals look the same as those of other providers? NOVUX Specialty Terminals offer an optional customer-configurable ID plate for ease of network record-keeping. It also provides clarity for multiple operators that share locations.

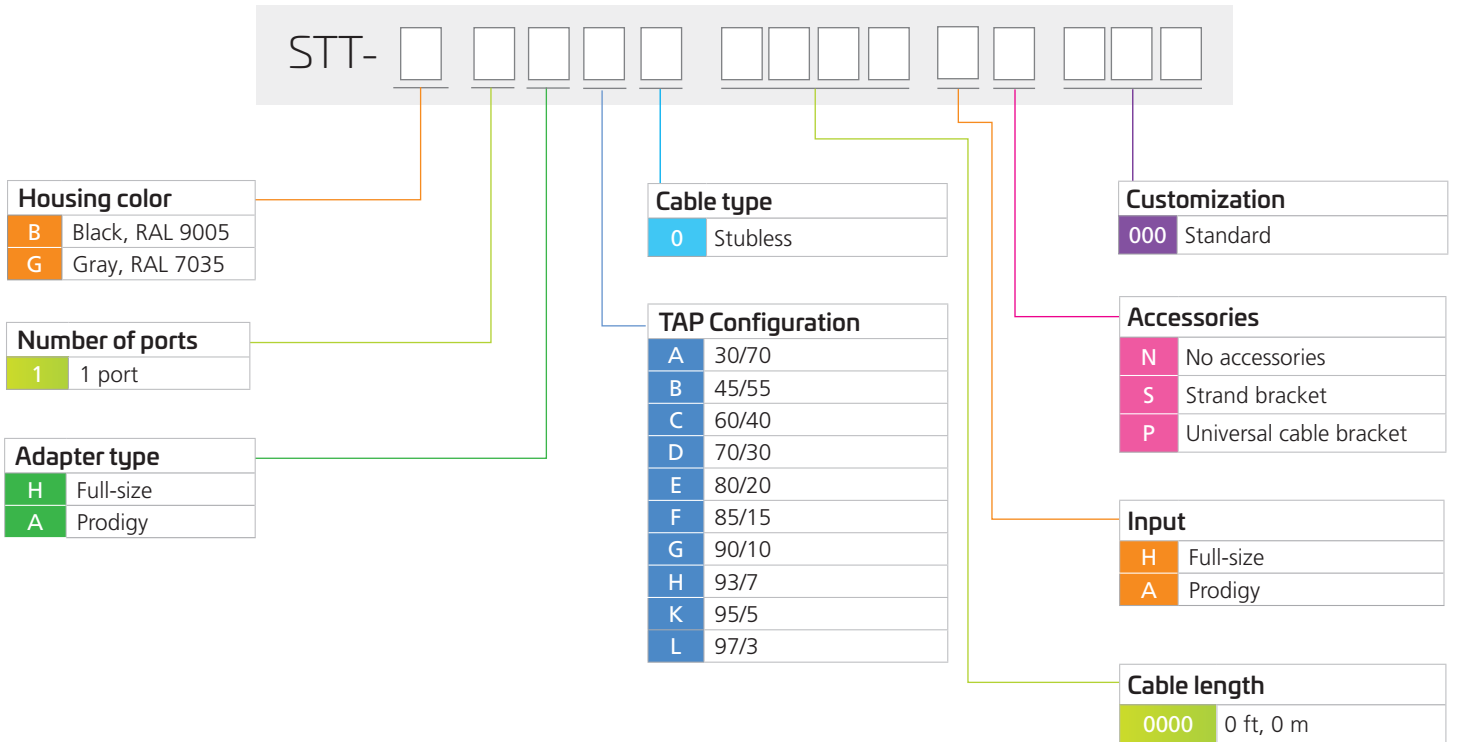


On-demand configurations are available. Contact your CommScope representative to discuss your specific needs.

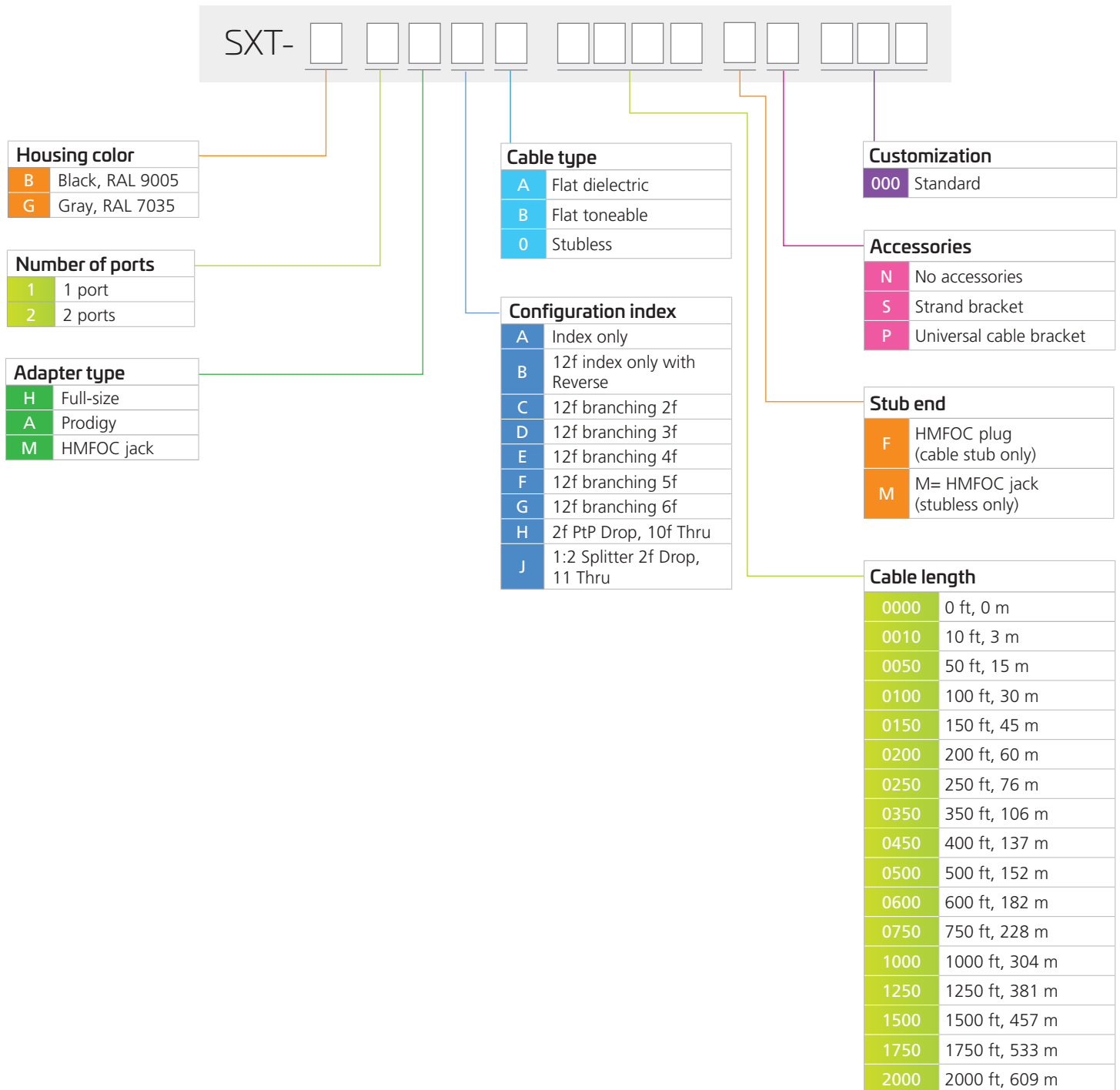
Ordering information—SST



Ordering information—STT



Ordering information—SXT



Ordering information—accessories

Catalog no.	Description	MOQ
NVX-ACC-SMB	Strand mounting bracket	1
NVX-CMB-NN-UV-BK	NOVUX, Cable Mounting Bracket	1



Single-fiber drop cables

FHD single-fiber assemblies

- Full range of drop cables available
- Available in flat dielectric and flat toneable, 5 mm round cables
- Available with one or both ends connectorized
- Variety of lengths available

[Go to FHD single-fiber drop cables](#)



Multi-fiber drop cables

MHD multi-fiber assemblies

- Full range of drop cables available
- Available in flat dielectric and flat toneable
- Available with one or both ends connectorized
- Plug—female, no pin
- Jack—male, pinned
- Variety of lengths available

[Go to MHD multi-fiber drop cables](#)



HCA hardened cable assembly

- Compact and small footprint, space-saving design for high-density environments.
- Compatible with multiple hardened connectors.
- Converter kit is preassembled for ease of installation
- Cable assemblies available with 5mm round and figure-8 cables in standard lengths up to 2,000FT / 600 meters

[Go to HCA Hardened Cable Assembly](#)



CommScope pushes the boundaries of communications technology with game-changing ideas and ground-breaking discoveries that spark profound human achievement. We collaborate with our customers and partners to design, create and build the world's most advanced networks. It is our passion and commitment to identify the next opportunity and realize a better tomorrow. Discover more at commscope.com.

COMMSCOPE®

commscope.com

Visit our website or contact your local CommScope representative for more information.

© 2022 CommScope, Inc. All rights reserved. All trademarks identified by ™ or ® are trademarks or registered trademarks in the US and may be registered in other countries. All product names, trademarks and registered trademarks are property of their respective owners. This document is for planning purposes only and is not intended to modify or supplement any specifications or warranties relating to CommScope products or services.

PA-116141-EN (05/22)